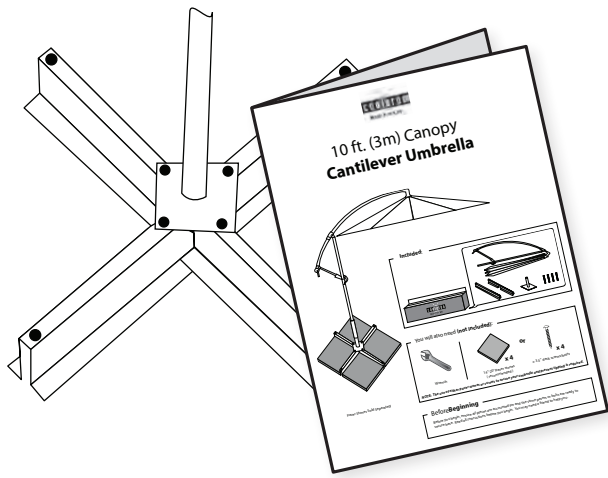


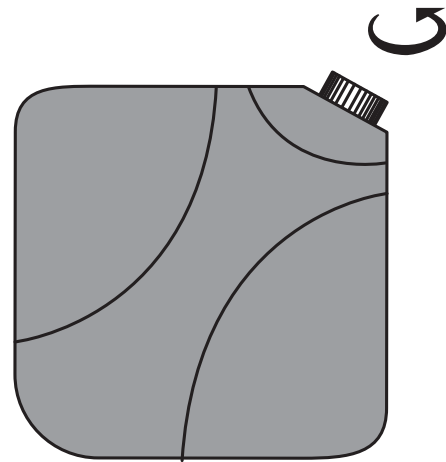


Water Base

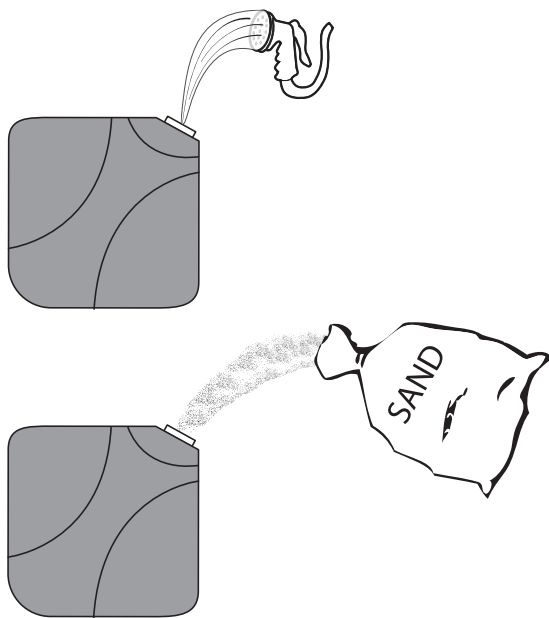
for Cantilever Umbrella



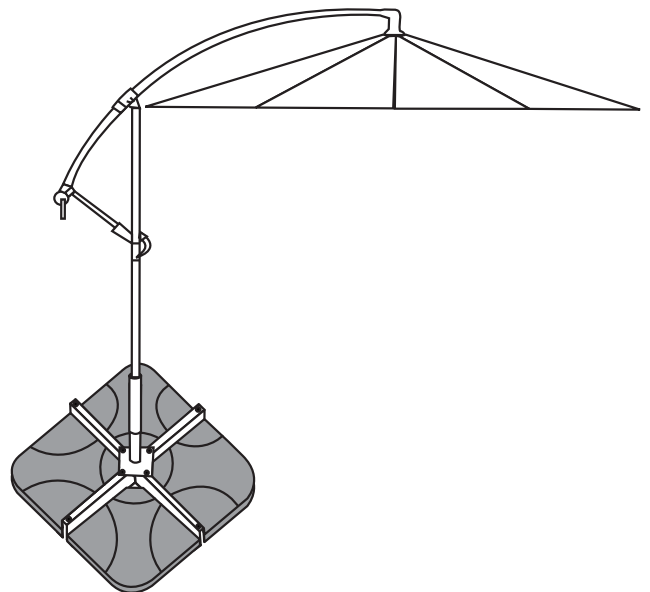
1. Install Cantilever base cross beams and base pole according to Cantilever umbrella instructions.



2. Remove cap from base unit.



3. Fill base unit with water or sand. Replace cap.



4. Place four filled base units on the cross bars.